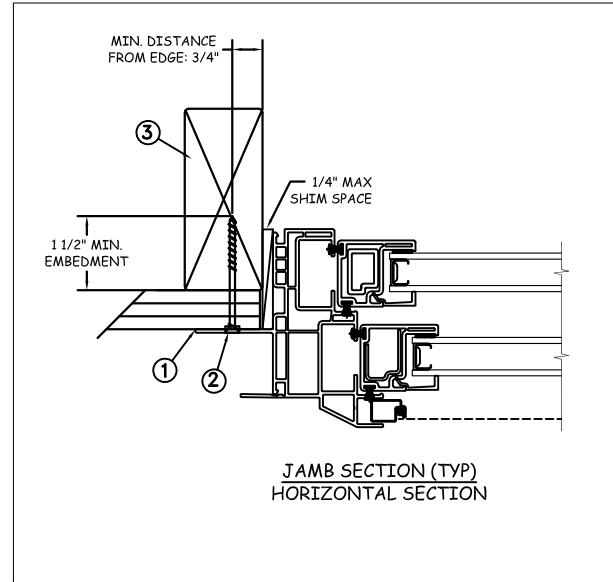
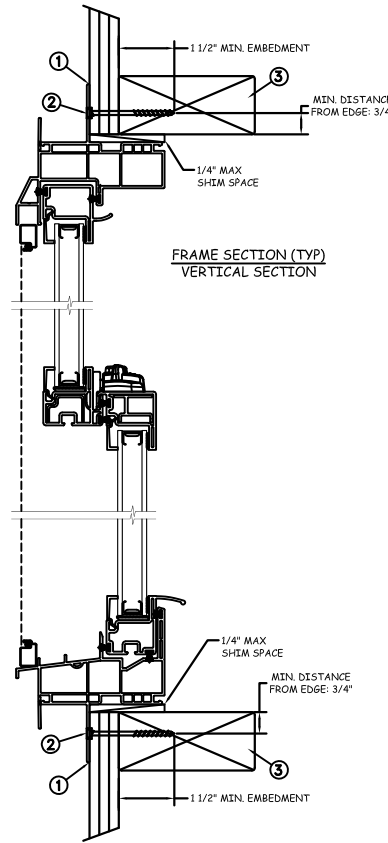
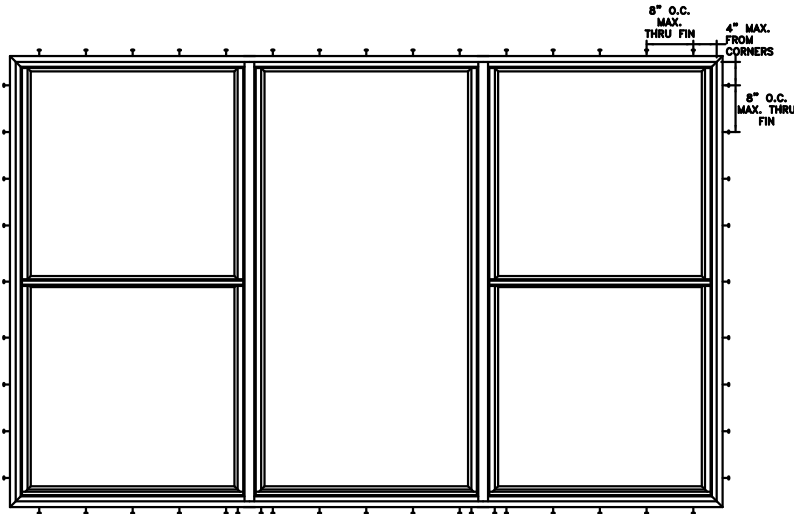


**NAIL FIN INSTALLATION**



Max Frame	DP RATING	IMPACT
120 x 84	+35/-40	NO

**Installation Notes:**

1. Seal flange/frame to substrate.
2. Use #8 PH or greater fastener through the nail fin with sufficient length to penetrate a minimum of 1 1/2" into the wood framing. For two (2X) wood frame substrate (min. S.G. = 0.42).
3. Host structure (wood buck, masonry, steel) to be designed and anchored to properly transfer all loads to the structure. The host structure is the responsibility of the architect or engineer of record for the project of installation.

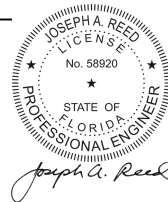
**General Notes:**

1. The product shown herein is designed, tested and manufactured to comply with the wind load criteria of the adopted International Building Code (IBC), the International Residential Code (IRC), the current Florida Building Code (FBC) and the industry requirement for the stated conditions.
2. All glazing shall conform to ASTM E1300.
3. At minimum, glazing shall be 3.1mm annealed - 13.0mm airspace - 3.1mm annealed glass.
4. Use structural or composite shims where required.

This schedule addresses only the fasteners required to anchor the window to achieve the rated design pressure up to the size limitations noted. It is not intended as a guide to the installation process and does not address the sealing consideration that may arise in different wall conditions. For the complete installation procedure, see the instructions packaged with the window or go to [www.jeld-wen.com](http://www.jeld-wen.com)

**DISCLAIMER:**

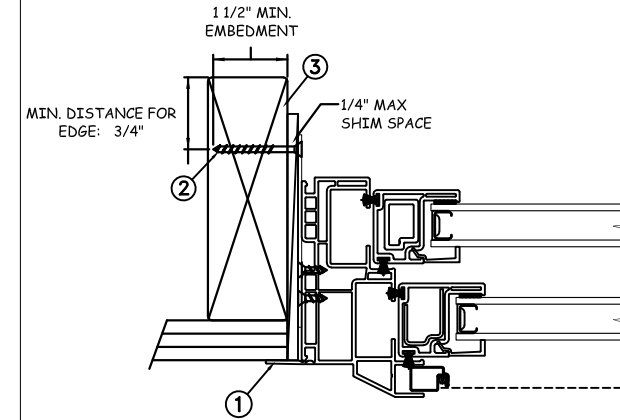
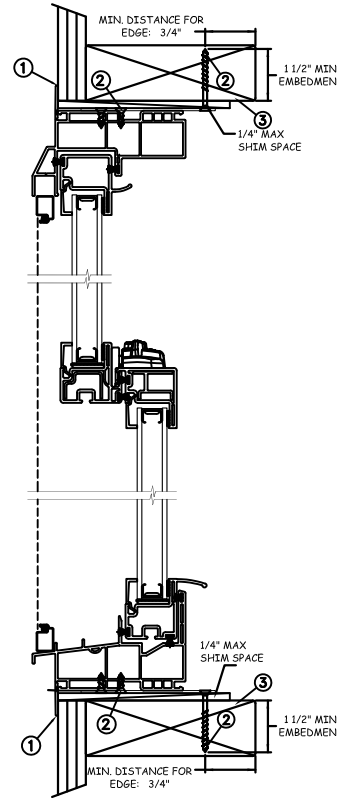
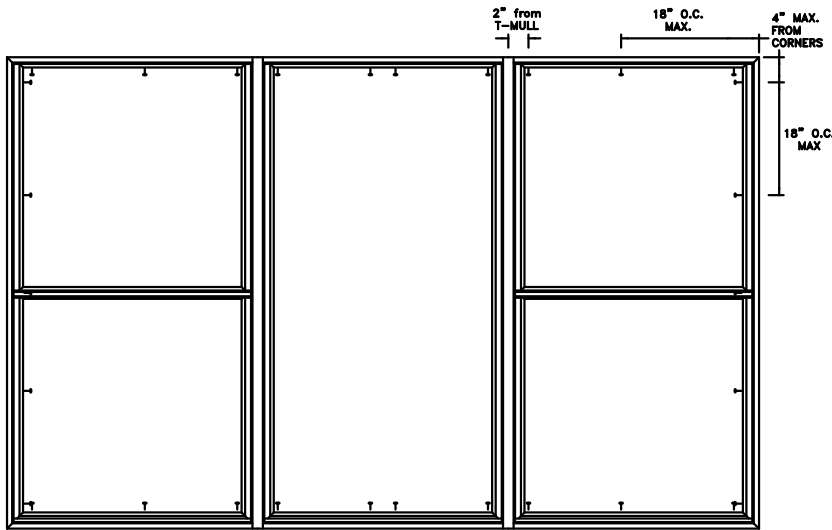
This drawing and its contents are confidential and are not to be reproduced or copied in whole or in part or used or disclosed to others except as authorized by JELD-WEN Inc.



2021.10.27 15:11:42 -04'00'  
**JOSEPH A. REED, P.E.**  
 Florida P.E. No. 58920, REG. No. 33474  
 5 Leigh Drive  
 York, PA. 17406  
 (717) 846-1200

DATE: 10/21/2021	<b>JELD-WEN</b> 3250 Lakeport Blvd Klamath Falls, OR. 97601 Phone: (800) 535-3936		
SCALE: NTS			
DRAWN BY: M.HAM	TITLE: <b>Premium Vinyl Tilt Double Hung Window XOX</b>		
CHECKED BY: J.GOOSSEN			
APPROVED BY: J.GOOSSEN			
RECORD No.: <b>D014539</b>			
REPORT No. ESP026028P.1	CAD DWG. No.: —	REV: <b>A</b>	SHEET 1 OF 3

# MASONRY STRAP INSTALLATION



JAMB SECTION (TYP)  
HORIZONTAL SECTION

Max Frame	DP RATING	IMPACT
120 x 84	+35/-40	NO

### Installation Notes:

1. Seal flange/frame to substrate.
2. Use #8 PH or greater fastener through the masonry strap with sufficient length to penetrate a minimum of 1 1/2" into the wood framing. For two (2X) wood frame substrate (min. S.G. = 0.42).
3. Use 2 - #8 PFH or larger fasteners through masonry strap into jamb without penetrating through the jamb into product causing visibility or collateral damage to product.
4. Host structure (wood buck, masonry, steel) to be designed and anchored to properly transfer all loads to the structure. The host structure is the responsibility of the architect or engineer of record for the project of installation.

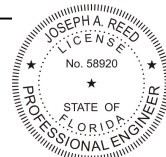
### General Notes:

1. The product shown herein is designed, tested and manufactured to comply with the wind load criteria of the adopted International Building Code (IBC), the International Residential Code (IRC), the current Florida Building Code (FBC) and the industry requirement for the stated conditions.
2. All glazing shall conform to ASTM E1300.
3. At minimum, glazing shall be 3.1mm annealed - 13.0mm airspace - 3.1mm annealed glass.
4. Use structural or composite shims where required.
5. Masonry strap specifications: 20 Ga. galvanized steel, .096" min. thickness x 1.5" min. width.

This schedule addresses only the fasteners required to anchor the window to achieve the rated design pressure up to the size limitations noted. It is not intended as a guide to the installation process and does not address the sealing consideration that may arise in different wall conditions. For the complete installation procedure, see the instructions packaged with the window or go to [www.jeld-wen.com](http://www.jeld-wen.com)

### DISCLAIMER:

This drawing and its contents are confidential and are not to be reproduced or copied in whole or in part or used or disclosed to others except as authorized by JELD-WEN Inc.



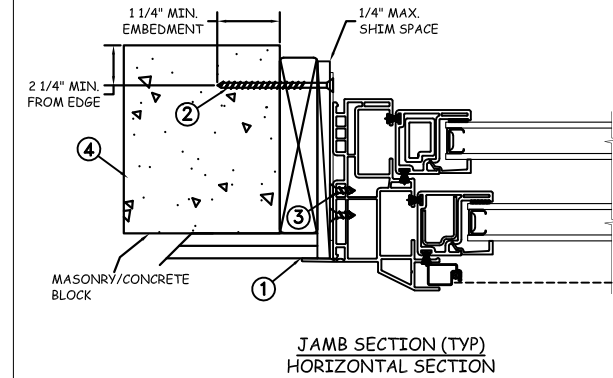
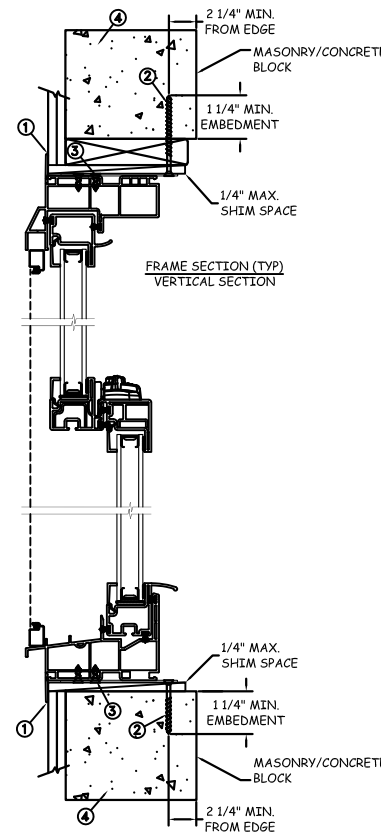
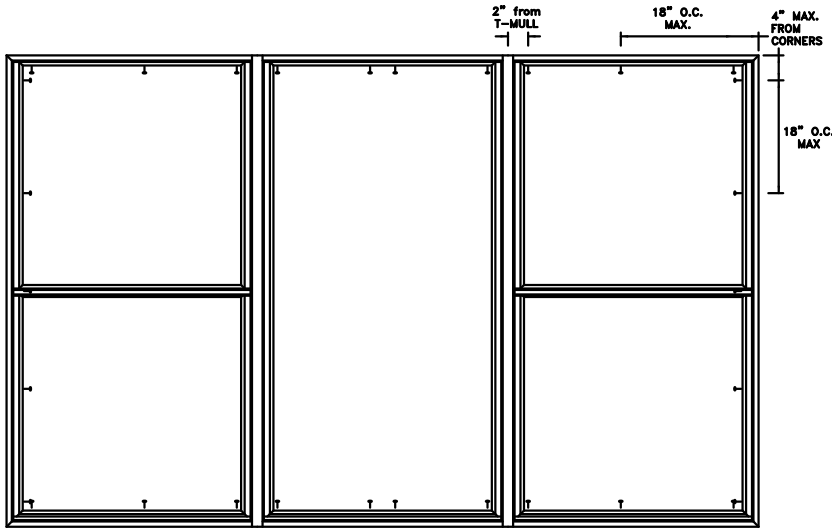
*Joseph A. Reed*

2021.10.27 15:11:42 -04'00'

**JOSEPH A. REED, P.E.**  
Florida P.E. No. 58920, REG. No. 33474  
5 Leigh Drive  
York, PA. 17406  
(717) 848-1200

DATE: 10/21/2021	<b>JELD-WEN</b> 3250 Lakeport Blvd Klamath Falls, OR. 97601 Phone: (800) 535-3936
SCALE: NTS	
DRAWN BY: M.HAM	TITLE: <b>Premium Vinyl Tilt Double Hung Window XOX</b>
CHECKED BY: J.GOOSSEN	
APPROVED BY: J.GOOSSEN	
RECORD No.: <b>D014539</b>	
REPORT No.: ESP026028P.1	CAD DWG. No.: —
	REV: <b>A</b>
	SHEET 2 OF 3

MASONRY INSTALLATION



Max Frame	DP RATING	IMPACT
120 x 84	+35/-40	NO

**Installation Notes:**

1. Seal flange/frame to substrate.
2. Use 3/16" Tapcon or equivalent fasteners through masonry strap with sufficient length to penetrate a minimum of 1 1/4" into concrete or masonry at each location with a 2 1/4" min from edge distance. For concrete (min. = 3000psi) or masonry (min. = 2000psi) (CMU shall conform to ASTM C90).
3. Use 2 - #8 PFH or larger fasteners through masonry strap into jamb without penetrating through the jamb into product causing visibility or collateral damage to product.
4. Host structure (wood buck, masonry, steel) to be designed and anchored to properly transfer all loads to the structure. The host structure is the responsibility of the architect or engineer of record for the project of installation.

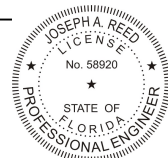
**General Notes:**

1. The product shown herein is designed, tested and manufactured to comply with the wind load criteria of the adopted International Building Code (IBC), the International Residential Code (IRC), the current Florida Building Code (FBC) and the industry requirement for the stated conditions.
2. All glazing shall conform to ASTM E1300.
3. At minimum, glazing shall be 3.1mm annealed - 13.0mm airspace - 3.1mm annealed glass.
5. Use structural or composite shims where required.
5. Masonry strap specifications: 20 Ga. galvanized steel, .096" min. thickness x 1.5" min. width.

This schedule addresses only the fasteners required to anchor the window to achieve the rated design pressure up to the size limitations noted. It is not intended as a guide to the installation process and does not address the sealing consideration that may arise in different wall conditions. For the complete installation procedure, see the instructions packaged with the window or go to [www.jeld-wen.com](http://www.jeld-wen.com)

**DISCLAIMER:**

This drawing and its contents are confidential and are not to be reproduced or copied in whole or in part or used or disclosed to others except as authorized by JELD-WEN Inc.



*Joseph A. Reed*

2021.10.27 15:11:42 -04'00'

**JOSEPH A. REED, P.E.**  
 Florida P.E. No. 58920, REG. No. 33474  
 5 Leigh Drive  
 York, PA. 17406  
 (717) 848-1200

DATE: 10/21/2021		3250 Lakeport Blvd Klamath Falls, OR. 97601 Phone: (800) 535-3936	
DRAWN BY: M.HAM		SCALE: NTS	
CHECKED BY: J.GOOSSEN	TITLE:  <b>Premium Vinyl Tilt Double Hung Window XOX</b>		
APPROVED BY: J.GOOSSEN			
RECORD No.: D014539			
REPORT No.: ESP026028P.1	CAD DWG. No.: —	REV: A	SHEET 3 OF 3